

# MS19M8020TG

SAMSUNG

## 1.9 cu. ft., Countertop Microwave and Trim Kit for Built-in Applications in Stainless Steel Finish



### Signature Features

#### 1.9 cu. ft. Capacity

- Accommodates a variety of dishes so you can prep large meals quickly.

#### Sensor Cook

- Automatically adjusts cooking time for optimal results.

#### Easy Clean Interior

- The smooth and durable Ceramic Enamel is easy to keep clean without scrubbing and won't discolour over time. It is highly rust and scratch-resistant, so it lasts longer.



### Available Colours



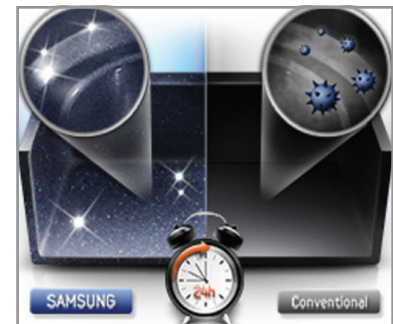
Black Stainless Steel (shown)



Stainless Steel



Sensor Cook



Ceramic Enamel Interior

### Features

- Eco Mode
- Cooking Presets
- 900W of Cooking Power
- 10 Power Levels
- Auto Defrost
- LED Display
- 30" Matching Trim Kit (see next page for details.)

### Convenience

- Kitchen Timer
- Clock (12hr/24hr) with Daylight Saving Time Adjustment
- Child Safety Lock
- Reminder End Signal

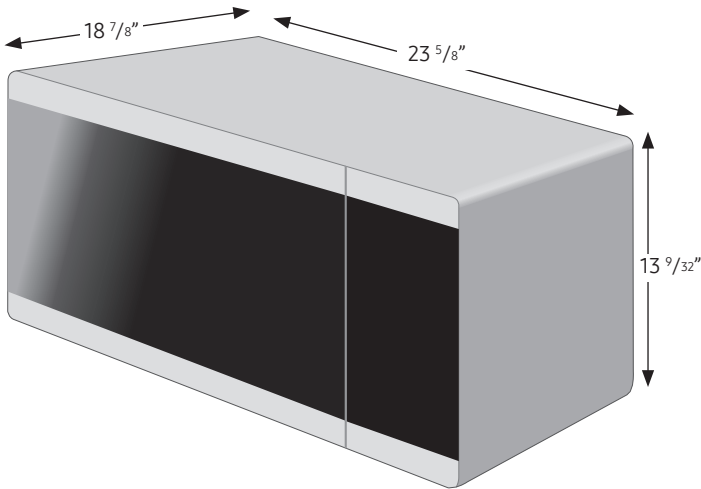
# MS19M8020TG

SAMSUNG

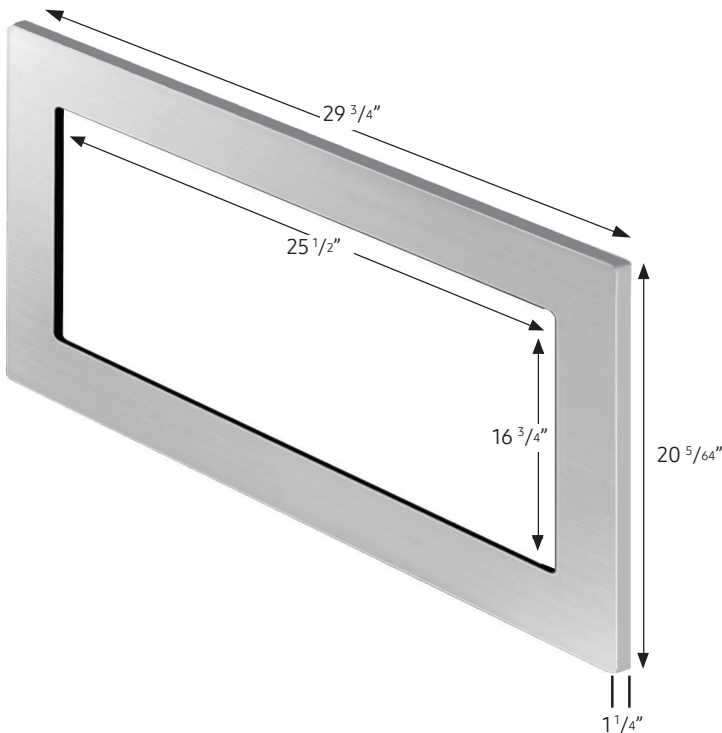
## 1.9 cu. ft., Countertop Microwave and Trim Kit for Built-in Applications in Stainless Steel Finish

### Dimensions

#### Microwave



#### Trim Kit



### Specifications

- Oven Cavity: 1.9 cu. ft.
- Power Output: 900W
- Power Consumption: 1600W/13.3 A
- Power Source: 120V / 60 Hz
- Control Method: Electronic Touch
- Display: LED (Ice Blue)
- Cooking Control: 10 Power Levels Including Defrost
- Cooking Timer: Digital, up to 99 Minutes, 99 Seconds
- Microwave Distribution System: Turntable

### Warranty

One (1) Year Parts and Labour

Five (5) Years on Magnetron Microwave Technology

### Microwave Product Dimensions & Weight (WxHxD)

Outside Dimensions: 23 5/8" x 13 9/32" x 18 7/8"

Interior Cavity Dimensions: 17 3/8" x 10 5/8" x 17 13/16"

Weight: 42.5 lbs. (19.28 Kg)

### Trim Kit Dimensions (WxHxD)

Outside Dimensions: 29 3/4" x 20 5/64" x 1 1/4"

Cut Out (WxH): 25 1/5" x 16 3/4"

Weight: 12.83 lbs. (5.81 Kg)

### Microwave Shipping Dimensions & Weight (WxHxD)

Dimensions: 26 1/4" x 16 13/32" x 20 1/4"

Weight: 47.4 lbs. (21.5 Kg)

### Trim Kit Shipping Dimensions (WxHxD)

Dimensions: 22 3/4" x 6 3/4" x 33 5/32"

Weight: 16.78 lbs. (7.6 Kg)

### Countertop Microwave and Trim Kit for Built-in Applications

For installation with Wall Ovens, respective codes must be paired together:

| Colour                | Product:  | Model #     | UPC Code     |
|-----------------------|-----------|-------------|--------------|
| Black Stainless Steel | Microwave | MS19M8020TG | 887276263052 |
| Black Stainless Steel | Trim Kit  | MA-TK8020TG | 887276263021 |
| Stainless Steel       | Microwave | MS19M8000AS | 887276263045 |
| Stainless Steel       | Trim Kit  | MA-TK8020TS | 887276263038 |